

PLS

# PLATE LEVELING SYSTEM



## VIEWS



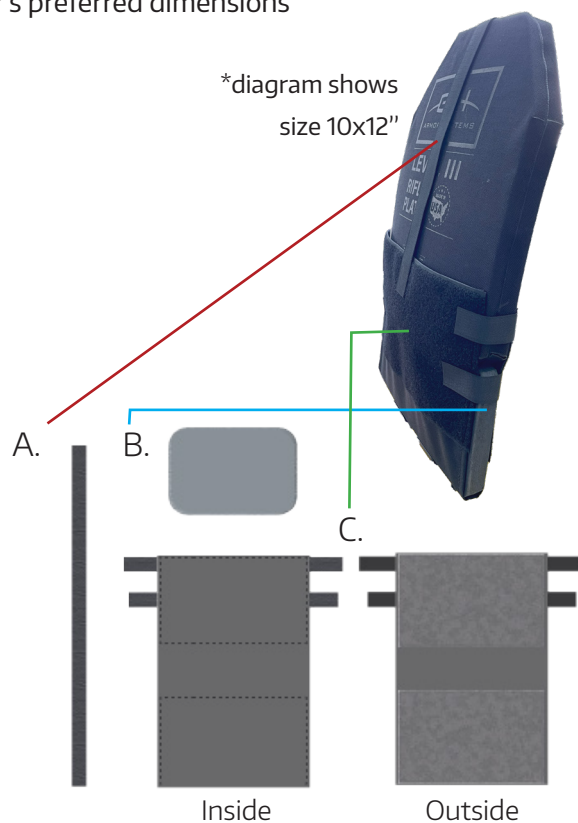
BACK



SIDE

The Plate Leveling System offers adjustable positioning for hard armor plates when inserted into a carrier plate pocket. The PLS allows the wearer to determine the preferred plate horizontal and vertical placement based on a variety of factors, including plate size, plate thickness, pocket dimensions, and wearer body dimensions. This system facilitates optimal plate positioning for fit and coverage whether the plate was purchased with the original carrier or configured at a later date for mission-specific demands.

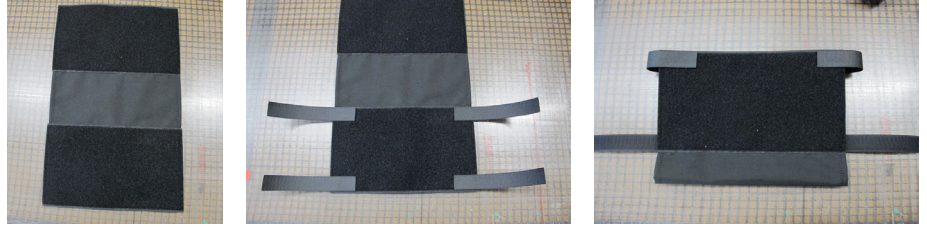
- Available in two sizes: 10x12" and 8x10"
- Hook and loop attachment for maximum adjustability
- Simple design that adapts to a variety of plate shapes and thicknesses
- Equipped with a foam insert that can be cut down to the wearer's preferred dimensions



- A. Vertical hook and loop strap
- B. Foam spacer block
- C. Horizontal hook and loop closures to encapsulate and secure the plate

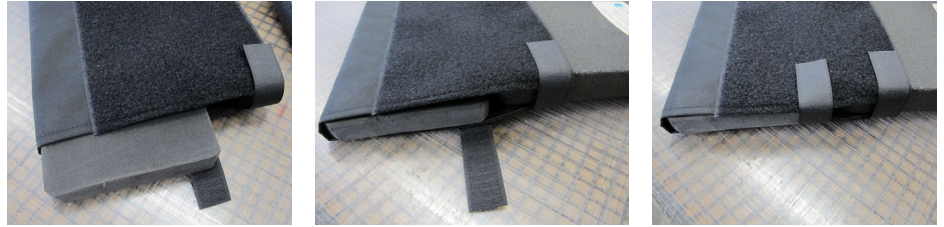
## STEP 1: Prepping the PLS

- Fold the material in half
- Attach the hook and loop straps as shown
- Connect the upper straps loosely



## STEP 2: Foam Spacer Block

- Insert the foam spacer block
- Line up the strap with foam as shown
- Insert the hard armor plate and tighten the strap around the hard armor plate



## STEP 3: Vertical Strap

- Attach the long hook and loop strap to the back and pull the strap over the top of the plate
- Tighten the strap around the hard armor plate and attach onto the front as shown

